

Gate Flat Wall Hardware Kit

Model # - GFWHKUS

Note: Use this kit to hang a gate from any surface other than a standard 2" post.

Installation Instructions

Step 1

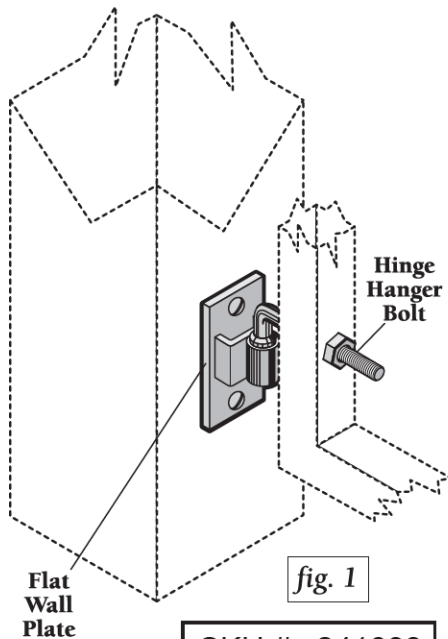
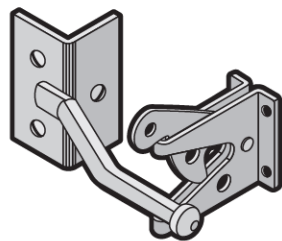
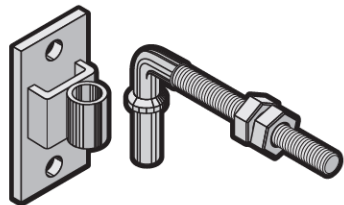
On the hinge side of the gate, drill a 7/16" diameter hole 5" down from the top of the gate and one 5" up from the bottom of the gate. Remove the outer nut on both hanger bolts and adjust the inner nut so that when the bolt is inserted into the holes you've drilled in the gate frame approximately 1" or more of threads are exposed. Replace outer nuts finger-tight and position the bolts so that the short end of the top bolt points up and the short end of the bottom bolt points down. Tighten the outer nuts.

Step 2

Position the gate in the opening and place blocks under the gate to achieve the desired height. Insert the bottom hanger bolt into the hanger bracket and determine the correct position for the hanger bracket on the post. Mark the location of hole in the flat wall plate.

Step 3

Remove the hanger bracket and drill holes where marked. The size of hole required would vary depending on the type of fastener you are using. Replace the hanger bracket and bolt in place.



U.S. Door and Fence, LLC., 3880 Garner Road, Riverside CA 92501-1066

For questions, please contact by phone (951)300-0010 or fax (951)300-0016

For warranty information, please contact warranty@usdoorfence.com

SKU # : 241638
GFWHKUS



Step 4

Insert the bottom hinge hanger bolt into the bottom hinge hanger bracket (fig.1). Insert the top hinge hanger bolt into the top hinge hanger bracket and determine the correct position for the hanger bracket. Mark the locations of holes in the flat wall plate.

Repeat Step 3

Step 5

Adjust the gate to hang squarely in the opening using the nuts on the hinge hanger bolts. "Tighten" the nuts at the top or "loosen" the nuts at the bottom.

Step 6

Position both parts of the gravity latch on the gate frame and the post (fig.2). The latch should always be mounted to the post and the striker bar to the gate frame. Mount the latch on the outside of the gate to make the gate swing out. Mount the latch on the inside of the gate to make the gate swing in. Position the latch on the post at the desired location. Mark the position of the mounting holes in the gravity latch. Drill a 1/8" pilot hole and mount to the post with the screws provided.

Step 7

Mark the position of the mounting holes in the striker bar. Drill a 1/8" pilot hole and mount to the gate frame with the screws provided.

Tools Required

- Pencil
- Tape measure
- Drill
- 1/8" steel drill bit
- 7/16" steel drill bit
- Flat blade screwdriver
- Adjustable wrench

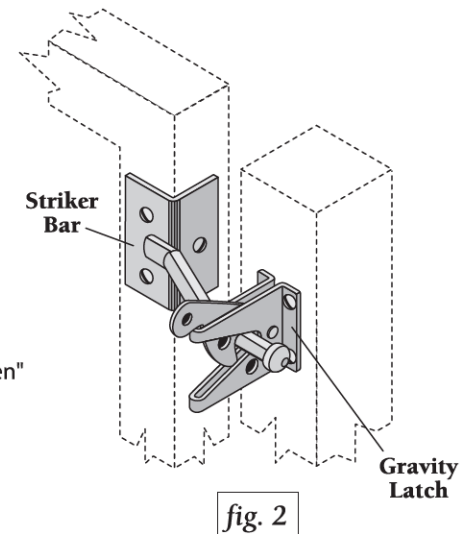


fig. 2