

Gate Cane Bolt

Model # - GCBUS

Installation Instructions

Step 1

Position both cane bolt holders on the gate frame with the flat edge of the bolt holders facing up (fig. 1). Position the holders so that when the cane bolt is in the open position, the pinched "bump" on the cane bolt rests on the top of the upper cane bolt holder and the bottom is flush with the bottom of the gate frame.

Step 2

Mark the position of the cane bolt holders. Drill 1/8" pilot holes and mount to the gate frame with the screws provided.

Tools Required

- Pencil
- Tape measure
- Drill
- 1/8" steel drill bit
- Flat blade screwdriver

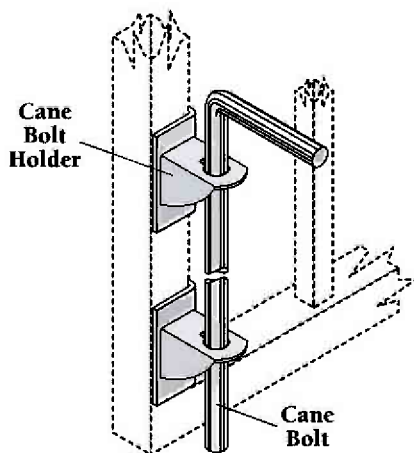
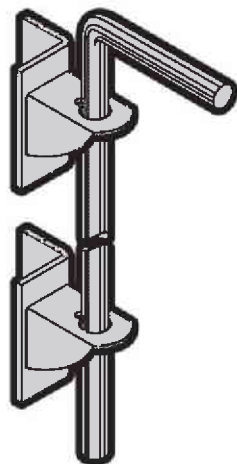


fig. 1



U.S. Door and Fence, LLC., 3880 Garner Road, Riverside CA 92501-1066

For questions, please contact by phone(951)300-0010 or fax (951)300-0016

For warranty information, please contact warranty@usdoorfence.com

SKU # : 430471

GCBUS



MADE IN CHINA